

A-KEYPAD

ACCESS CONTROL KEYPAD READER



The Authenticard A-KEYPAD range of keypad readers provide the ideal compliment for your Authenticard credentials. Designed specifically for access control systems, A-KEYPAD is available in many versions for use with most credential technologies. The touch-sensitive keypad with OLED backlighting eliminates moving parts and features a smooth surface making it suitable for both outdoor and indoor use.

DESIGN

- A** Integrated reader with choice of technologies including proximity, MIFARE, DESFire, Authentifire and Legic
- A** Touch-sensitive keypad eliminates moving parts for enhanced reliability
- A** Suitable for both indoor and outdoor use - weatherproof to IP65
- A** Can be mounted on metal without degradation of read range
- A** Universal metal back-plate allows easy installation on a UK, EU & US single-gang back-box as well as direct wall mounting
- A** Fully encapsulated construction

FEATURES

- A** Compatible with all standard access control systems
- A** Backlit Keypad
- A** 4-colour OLED indication
- A** Integral beeper
- A** Tamper Protection Output
- A** 12VDC Operation
- A** EU (CE) Certification



TECHNOLOGIES

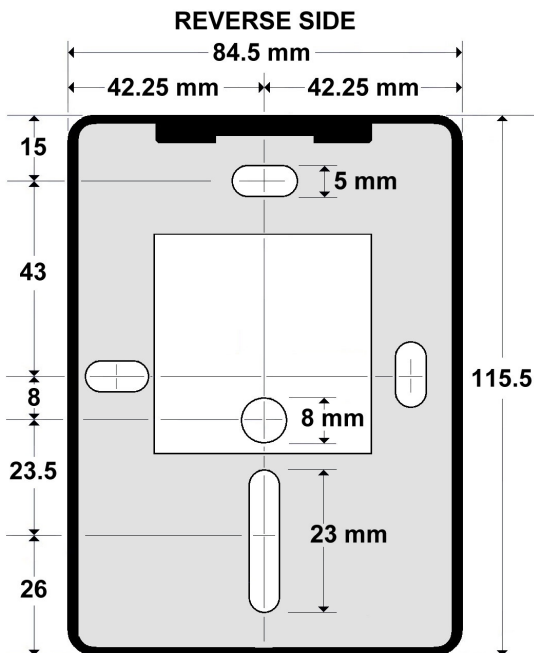
- A** 125KHz Proximity (A-KEYPAD-125)
- A** MIFARE (A-KEYPAD-CSN)
- A** DESFire (A-KEYPAD-EV1)
- A** Authentifire (A-KEYPAD-AF)
- A** Legic (A-KEYPAD-LEG)



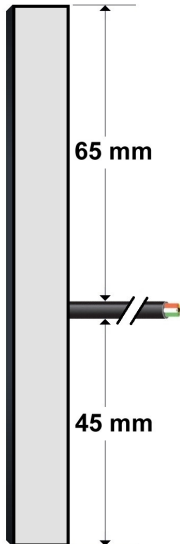
Access Excellence

A-KEYPAD

TECHNICAL DATA



SIDE VIEW



A-KEYPAD SPECIFICATIONS

	A-KEYPAD-125	A-KEYPAD-CSN/EV1/AF/L
Operating Frequency	125 KHz	13.56 MHz
Communication	Proximity	ISO 14443A 1-4
Read Range		
A-ISO	up to 50 mm	-
A-CLAM	up to 80 mm	-
A-FOB	up to 60 mm	-
A-BAND	up to 30 mm	-
A-PATCH	up to 20 mm	-
A-PM (Dual Technology)	up to 40 mm	up to 25 mm
A-ISO-D4K	-	up to 25 mm
Net Weight	230 g	
Installation	Integral Metal Back-Plate	
Connection	300mm Pigtail	
Keypad	Touch-Sensitive 4 x 3	
Dimensions	115.5mm x 84.5mm x 20.5mm	
Power Requirement	10-15 VDC @ 150 mA	
Operating Temperature	-30°C to 70°C	
Protection Rating	IP65	
Cable Distance	Up to 150 Metres	
Conformity	CE (R&TTE, RoHS)	
Casing Material	Polycarbonate and ABS	
Colour	Black	
Output Protocol	Wiegand	

Authenticard Readers and Tags

